

DPED1010 Series

120 Watt DC/DC Switching Adapter



Features

- CEC Compliance
- RoHS Compliance
- Wide Input Range
- Input Voltage Protection Installation
- Over Current Protection Installation
- Over Temperature Protection Installation
- Short Circuit Protection Installation
- 100% Burn-In
- LED Indication
- MTBF: >30,000 hours

DPED1010xYY - vv PP

x: Output range

YY: DC Input Type:

91 for EDACPOWER standard cigarette lighter

vv: Specified output voltage, ie 24 is 24Vdc

PP: Connector type, ie 01 for DPED standard D C cable or please refer to the appendix page

Electrical Specifications

| MODEL No. | MAX. OUTPUT POWER (W) | INPUT VOLTAGE (Vdc) | OUTPUT VOLTAGE (Vo) | LOAD | | LOAD REGULATION | LINE REGULATION | RIPPLE & NOISE |
|-----------|-----------------------|---------------------|---------------------|-----------|-----------|-----------------|-----------------|----------------|
| | | | | MIN. (Io) | MAX. (Io) | | | |
| DPED1010A | 120W | 11~16V | 16V | 0 | 7A | +/- 5% | +/- 2% | 300mV |
| DPED1010B | 120W | 11~16V | 18V | 0 | 6.7A | +/- 5% | +/- 2% | 300mV |
| DPED1010C | 120W | 11~16V | 19V | 0 | 6.3A | +/- 5% | +/- 2% | 300mV |
| DPED1010D | 120W | 11~16V | 20V | 0 | 6.0A | +/- 5% | +/- 2% | 300mV |
| DPED1010E | 120W | 11~16V | 24V | 0 | 5.0A | +/- 5% | +/- 2% | 300mV |

NOTE:

1 : Ripple & noise is measured by using 20MHz bandwidth limited oscilloscope and terminated each output with a 0.1uf ceramic capacitor & parallel with 47uF aluminum capacitor at full load and nominal line.

2 : Max. Output Power (W) ≥ Vo x Io

Electrical Specifications

INPUT

- Input range 11 to 16 Vdc
- Input current 12A Max.
- Inrush current No Damage to relative components
- Efficiency 87% Min. Nominal input

OUTPUT

- Over current protection Auto Recovery
- Over temperature protection Auto Recovery

ENVIRONMENTAL

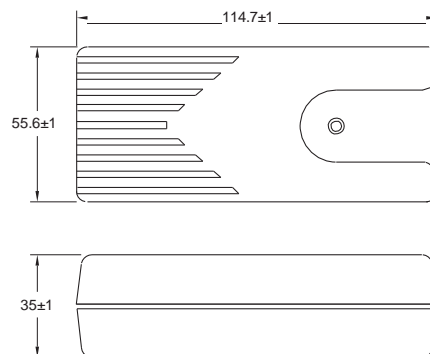
- Operating temperature 0 to 40°C
- Storage temperature -20 to 85 °C
- Storage humidity 5 % to 95%

SAFETY

- e1

Certificates listed are for reference only. Please contact our sales department for details.

Mechanical Specification



- Case Size: 114.7Lx55.6Wx35H (mm)
- DC Input: Cigarette Lighter with UL1185 dc cable.
- Weight: 300g