



# DPED1058 Series

## 41-72Watt DC/DC Switching Adapter



### Features

- Wide Input Range
- RoHS Compliance
- Input Voltage Protection Installation
- Over Current Protection Installation
- Over Temperature Protection Installation
- Short Circuit Protection Installation
- 100% Burn-In
- LED Indication
- MTBF: >30,000 hours

### DPED1058 xx-vvPP

xx: DC Input Type:

91 for DPED standard cigarette lighter

vv: Specified output voltage, ie 12 is 12Vdc

PP: Connector type, ie 01 for DPED standard dc cable or please refer to the appendix page

### Electrical Specifications

MODEL No.	MAX. OUTPUT POWER (W)	INPUT VOLTAGE (Vdc)	OUTPUT VOLTAGE (Vo)	LOAD		LOAD REGULATION	LINE REGULATION	RIPPLE & NOISE
				MIN. (Io)	MAX. (Io)			
CED1058	41W	11~36V	10.25V	0	4A	+/- 5%	+/- 1%	150mV
CED1058A	72W	11~36V	5~12V	0	6.0A	+/- 5%	+/- 1%	150mV

**NOTE:**

1 : Ripple & noise is measured by using 20MHz bandwidth limited oscilloscope and terminated each output with a 0.1uf ceramic capacitor & parallel with 47uF aluminum capacitor at full load and nominal line.

2 : Max. Output Power (W) ≥ Vo x Io

### Electrical Specifications

**INPUT**

- Input range 11 to 36 Vdc
- Input current 6A Max.
- Inrush current No Damage to relative components
- Efficiency 80% Min. Nominal input

**OUTPUT**

- Over current protection Auto Recovery
- Over temperature protection Auto Recovery

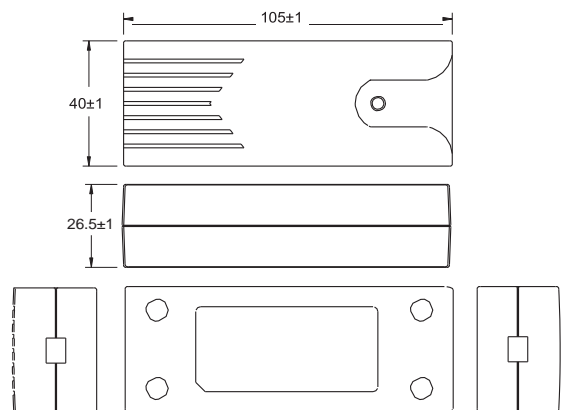
**ENVIRONMENTAL**

- Operating temperature 0 to 40°C
- Storage temperature -20 to 85 °C
- Storage humidity 5 % to 95%

**SAFETY**

- FCC

### Mechanical Specification



- Case Size: 105Lx40Wx26.5H (mm)
- DC Input: Cigarette Lighter with UL1185 dc cable.
- Weight: 220g

Certificates listed are for reference only. Please contact our sales department for details.