



DPED1075 Series

75 Watt DC/DC Switching Adapter



Features

- Wide Input Range
- RoHS Compliance
- Input Voltage Protection Installation
- Over Current Protection Installation
- Over Temperature Protection Installation
- Short Circuit Protection Installation
- 100% Burn-In
- LED Indication
- MTBF: >30,000 hours

DPED1075 xx - vv PP

xx: DC Input Type:

91 for EDACPOWER standard cigarette lighter

vv: Specified output voltage, ie 24 is 24Vdc

PP: Connector type, ie 01 for EDACPOWER standard dc cable or please refer to the appendix page

Electrical Specifications

MODEL No.	MAX. OUTPUT POWER (W)	INPUT VOLTAGE (Vdc)	OUTPUT VOLTAGE (Vo)	LOAD		LOAD REGULATION	LINE REGULATION	RIPPLE & OISE
				MIN. (Io)	MAX. (Io)			
DPED1075	75W	11~16V	15~24V	0	4A	+/- 5%	+/- 2%	200mV

NOTE:

1 : Ripple & noise is measured by using 20MHz bandwidth limited oscilloscope and terminated each output with a 0.1uf ceramic capacitor & parallel with 47uF aluminum capacitor at full load and nominal line.

2 : Max. Output Power (W) \geq Vo x Io

Electrical Specifications

INPUT

- Input range 11 to 16 Vdc
- Input current 7A Max.
- Inrush current No Damage to relative components
- Efficiency 85% Min. Nominal input

OUTPUT

- Over current protection Auto Recovery
- Over temperature protection Auto Recovery

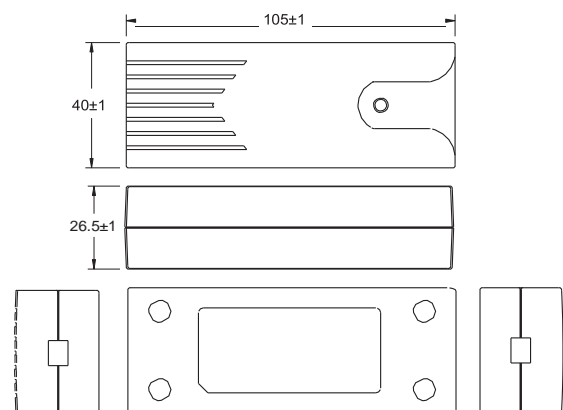
ENVIRONMENTAL

- Operating temperature 0 to 40°C
- Storage temperature -20 to 85 °C
- Storage humidity 5 % to 95%

SAFETY

- CE

Mechanical Specification



- Case Size: 105Lx40Wx26.5H (mm)
- DC Input: Cigarette Lighter with UL1185 dc cable.
- Weight:220g

Certificates listed are for reference only. Please contact our sales department for details.