



DPED1096 Series

90 Watt DC/DC Switching Adapter



Features

- Slim & Compact Size
- RoHS Compliance
- Cigar or Auto/Air Input
- Input Voltage Protective Installation
- Over Voltage Protective Installation
- Over Current Protective Installation
- Over Temperature Protective Installation
- With USB Port (+5V) Output (0.8A Max.)
- MTBF: >30,000 hours

DPED1096 x - vv PP

x: Output Voltage

vv: Specified output voltage, ie 24 is 24Vdc

PP: Connector type, ie O1 for DPED standard dc cable or please refer to the appendix page

Electrical Specifications

MODEL No.	MAX. OUTPUT POWER (W)	INPUT VOLTAGE (Vdc)	OUTPUT VOLTAGE (Vo)	LOAD		LOAD REGULATION	RIPPLE & NOISE
				MIN. (Io)	MAX. (Io)		
DPED1096A	90W	11~16V	16V	0	5.62A	+/- 5%	250mV
DPED1096B	90W	11~16V	19V	0	4.73A	+/- 5%	250mV
DPED1096C	90W	11~16V	20V	0	4.5A	+/- 5%	250mV
DPED1096D	90W	11~16V	24V	0	3.75A	+/- 5%	250mV

NOTE:

- 1 : Ripple & noise is measured by using 20MHz bandwidth limited oscilloscope and terminated each output with a 0.1uf ceramic capacitor & parallel with 47uF aluminum capacitor at full load and nominal line.
- 2 : Max. Output Power (W) \geq Vo x Io

Electrical Specifications

INPUT

- Input range 11 to 16 Vdc
- Input current \leq 10A
- Inrush Current No. Damage to relative components
- Efficiency 86% Min.

OUTPUT

- Over current protection Latch off
- Over temperature protection Auto Recovery

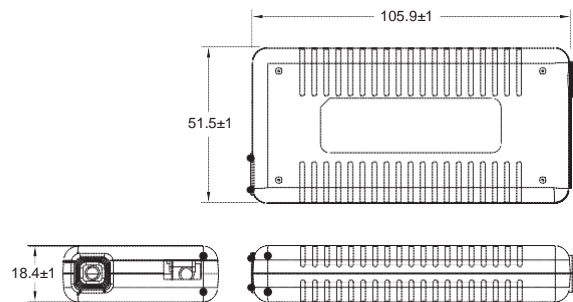
ENVIRONMENTAL

- Operating temperature 0 to 40°C
- Storage temperature -20 to 85 °C
- Storage humidity 5 % to 95%

SAFETY

- e1, FCC

Mechanical Specification



- Case Size: 105.9Lx51.5Wx18.4H (mm)
- Weight: 220g

Certificates listed are for reference only. Please contact our sales department for details.