



DPED1097Series

90 Watt DC/DC Switching Adapter



Features:

- o Wide Input Range
- o RoHS Compliance
- o Input Voltage Protective Installation
- o Short-Circuit Protective Installation
- o Over-Temperature Protective Installation
- o Over-Current Protective Installation
- o Protection Type:
- o OVP, OTP, OCP, SCP: Autorecovery
- o Dual output
- o LED Indication
- o MTBF > 30,000 hours

Electrical Specifications

Model No.	MAX. POWER (W)	INPUT VOLTAGE(Vdc)	OUTPUT VOLTAGE (Vo)	MIN. LOAD(Io)	MAX. LOAD(Io)	LOAD REGULATION	LINE REGULATION	RIPPLE & NOISE
DPED1097	90	11~16V	5.1	0A	2.1A	5% Max.	1% Max.	150mV
			19.5V	0A	4.61A	5% Max.	1% Max.	290mV

NOTE:

- 1: Ripple & Noise is measured by using 20MHz bandwidth limited oscilloscope and terminated each output with a 0.1uf ceramic capacitor & parallel with 47uF aluminum capacitor at full load and nominal line.
- 2: Line regulation is defined by changing $\pm 10\%$ of input voltage from nominal line at rated load.
- 3: Max. Power (W) $\geq V_o \times I_o$

Electrical Specifications

Input

Input Range	11 to 16 Vdc
Input Current	$\leq 10A$
Inrush Current	No Damage to relative components
Efficiency	90% Typ.
Turn On Time	$\leq 3S$

OUTPUT

Over Voltage Protection	Auto Recovery
Short Circuit Protection	Auto Recovery
Over Current Protection	Auto Recovery
Over Temperature Protection	Auto Recovery

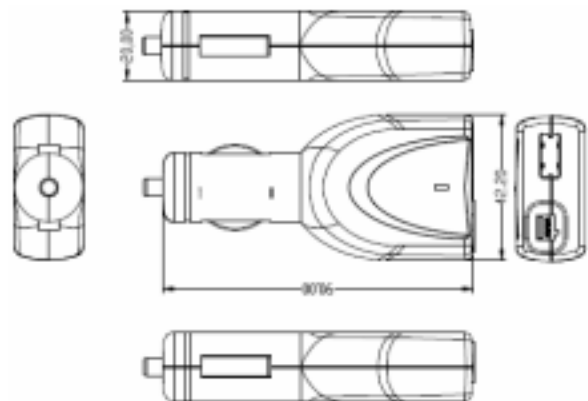
ENVIRONMENTAL

Operating Temperature	0~40°C
Storage Temperature	-20°C~85°C
Storage Humidity	5 % to 95 %

Safety

CE, FCC

Mechanical Specifications



Case Size: 90L x 42W X 20H (mm)
Weight: 55g