

DPEM1060Series

42-55 Watt AC/DC Medical Desk Top Type



C14

C8

Features

- CEC Compliance
- RoHS Compliance
- IEC320C14,C8
- Over Voltage Protective Installation
- Short Circuit Protective Installation
- Protection Type: Auto-Recovery
- MTBF: >30,000 hours

DPEM1060xY - vvPP

x: Case type: 1: C14 2:C8

Y: Output range

vv: Specified output voltage, ie 24 is 24Vdc

PP: Connector type, ie O1 for DPEM standard dc cable or please refer to the appendix page

Electrical Specifications

MODEL No.	MAX. OUTPUT POWER (W)	OUTPUT VOLTAGE (Vo)	MIN. LOAD (Io)	MAX. LOAD (Io)	LOAD REGULATION	LINE REGULATION	RIPPLE & NOISE
DPEM1060xA	55W	13~17V	0	4.2A	+/- 5%	+/- 1%	250mV
DPEM1060xB	55W	18~24V	0	3A	+/- 5%	+/- 1%	350mV
DPEM1060xC	50W	12~17V	0	4.2A	+/- 5%	+/- 1%	250mV
DPEM1060xD	50W	18~24V	0	2.8A	+/- 5%	+/- 1%	350mV
DPEM1060xE	42W	12~17V	0	3.5A	+/- 5%	+/- 1%	250mV
DPEM1060xF	42W	18~24V	0	2.3A	+/- 5%	+/- 1%	350mV

NOTE:

- 1 : Ripple & noise is measured by using 20MHz bandwidth limited oscilloscope and terminated each output with a 0.1uf ceramic capacitor & parallel with 47uF aluminum capacitor at full load and nominal line.
- 2 : Line regulation is defined by changing $\pm 10\%$ of input voltage from nominal line at rated load.
- 3 : Max. Output Power (W) $\geq V_o \times I_o$

Electrical Specifications

INPUT

- Input Range 100 to 240 VAC
- Frequency 50 to 60Hz
- Input Current $\leq 1.5A$
- Inrush Current $\leq 80A$
- Efficiency 85% Typ.
- Hold Up Time $\geq 8.3mS$
- Turn On Time $\leq 3s$

OUTPUT

- Over Voltage Protection Auto Recovery
- Short Circuit Protection Auto Recovery

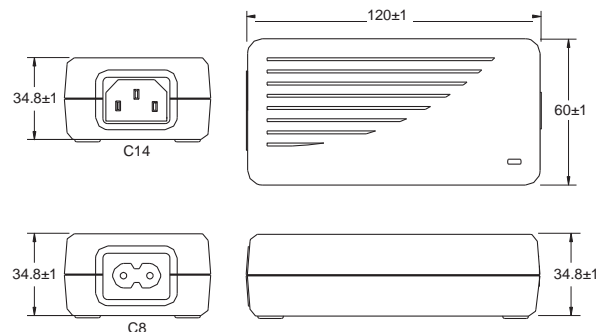
ENVIRONMENTAL

- Operating Temperature 0 to 40°C
- Storage Temperature -20 to 85 °C
- Storage Humidity 5 % to 95%

SAFETY

- UL/CUL UL60601, TUV/RH EN/IEC 60601, CB, CE, FCC

Mechanical Specification



- Case Size: 120Lx60Wx34.8H (mm)
- AC Inlet: C14, C8
- Weight: 280g

Certificates listed are for reference only. Please contact our sales department for details.