

DPEM1070Series

60-72 Watt AC/DC Medical Desk Top Type



C14

C6

- CEC Compliance
- RoHS Compliance
- IEC320 C14, C6
- Over Voltage Protective Installation
- Short Circuit Protective Installation
- Protection Type: Latch-off
- MTBF: >30,000 hours

DPEM1070xY- vvPP

x: Case type: 1: C14 3: C6

Y: Output range

vv: Specified output voltage, ie 24 is 24Vdc

PP: Connector type, ie 01 for DPEMstandard dc cable or please refer to the appendix page

MODEL No.	MAX. OUTPUT POWER (W)	OUTPUT VOLTAGE (Vo)	MIN. LOAD (Io)	MAX. LOAD (Io)	LOAD REGULATION	LINE REGULATION	RIPPLE & NOISE
DPEM1070xA	72W	12~17V	0	6A	+/- 5%	+/- 1%	250mV
DPEM1070xB	72W	18~24V	0	4A	+/- 5%	+/- 1%	250mV
DPEM1070xC	60W	12~17V	0	5A	+/- 5%	+/- 1%	250mV
DPEM1070xD	60W	18~24V	0	3.33A	+/- 5%	+/- 1%	250mV

NOTE:

- 1 : Ripple & noise is measured by using 20MHz bandwidth limited oscilloscope and terminated each output with a 0.1uf ceramic capacitor & parallel with 47uF aluminum capacitor at full load and nominal line.
- 2 : Line regulation is defined by changing $\pm 10\%$ of input voltage from nominal line at rated load.
- 3 : Max. Output Power (W) $\geq V_o \times I_o$

INPUT

- Input Range 100 to 240 VAC
- Frequency 50 to 60Hz
- Input Current $\leq 2A$
- Efficiency $\leq 85\%$ Typ.
- Hold Up Time $\geq 8.3mS$
- Turn On Time $\leq 3s$

OUTPUT

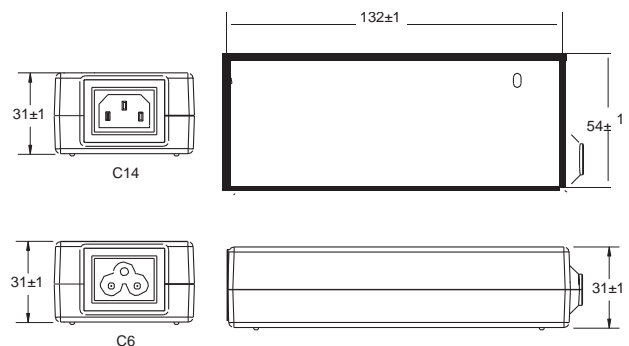
- Over Voltage Protection Latch off
- Short Circuit Protection Auto Recovery

ENVIRONMENTAL

- Operating Temperature 0 to 40°C
- Storage Temperature -20 to 85 °C
- Storage Humidity 5 % to 95%

SAFETY

- UL/CUL UL60601, TUV/RH EN/IEC 60601, CB, CE, FCC



Case Size: 132Lx54Wx31H (mm)

- AC Inlet: C14, C6
- Weight: 320g

Certificates listed are for reference only. Please contact our sales department for details.