

DPEM1120Series

100-130 Watt AC/DC Medical Desk Top Type



C14

C6

Features

- CEC Compliance
- RoHS Compliance
- IEC320 C14, C6
- Over Voltage Protective Installation
- Short Circuit Protective Installation
- Protection Type: Auto-Recovery
- MTBF: >30,000 hours

DPEM1120xY-vvPP

X: Case type: 1. C14 3. C6

Y: Output range

vv: Specified output voltage, ie 24 is 24Vdc

PP: Connector type, ie 01 for DPEMstandard dc cable
or please refer to the appendix page

Electrical Specifications

MODEL No.	MAX. OUTPUT POWER (W)	OUTPUT VOLTAGE (Vo)	MIN. LOAD (Io)	MAX. LOAD (Io)	LOAD REGULATION	LINE REGULATION	RIPPLE & NOISE
DPEM1120xA	120W	12~17V	0	10A	+/- 5%	+/- 1%	240mV
DPEM1120xB	130W	18~24V	0	7A	+/- 5%	+/- 1%	240mV
DPEM1120xC	110W	12~17V	0	9.17A	+/- 5%	+/- 1%	240mV
DPEM1120xD	120W	18~24V	0	6.5A	+/- 5%	+/- 1%	240mV
DPEM1120xE	100W	12~17V	0	8.34A	+/- 5%	+/- 1%	240mV
DPEM1120xF	110W	18~24V	0	6.11A	+/- 5%	+/- 1%	240mV

NOTE:

- 1 : Ripple & noise is measured by using 20MHz bandwidth limited oscilloscope and terminated each output with a 0.1uf ceramic capacitor & parallel with 47uF aluminum capacitor at full load and nominal line.
- 2 : Line regulation is defined by changing $\pm 10\%$ of input voltage from nominal line at rated load.
- 3 : Max. Output Power (W) $\geq V_o \times I_o$

Electrical Specifications

INPUT

- Input Range 100 to 240 VAC
- Frequency 50 to 60Hz
- Input Current $\leq 2A$
- Inrush Current $\leq 120A$
- Efficiency 85% Typ.
- Hold Up Time $\geq 8.3mS$
- Turn On Time $\leq 3s$

OUTPUT

- Over Voltage Protection Auto Recovery
- Short Circuit Protection Auto Recovery

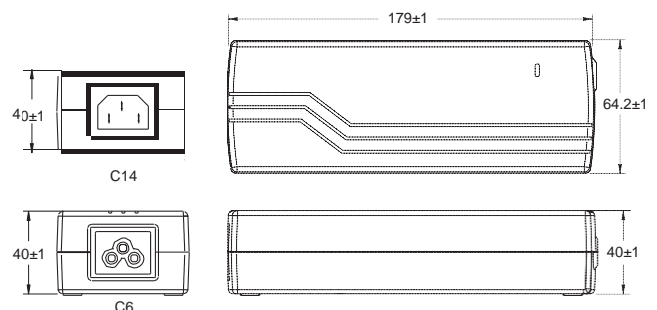
ENVIRONMENTAL

- Operating Temperature 0 to 40°C
- Storage Temperature -20 to 85 °C
- Storage Humidity 5 % to 95%

SAFETY

- Meet UL60601
- Meet EN/IEC 60601

Mechanical Specification



- Case Size: 179Lx64.2Wx40H (mm)
- AC Inlet: C14, C6
- Weight: 705g

Certificates listed are for reference only. Please contact our sales department for details.